

Registration



Design Team

KDA
Design BK
Drawn BK
Client Project No. -
KDA Project No. GSA-01

Owner

-

Project

Mercer Island Shell Addition/Alteration

Issue/Revision

| No. | Date | Description |
|-----|---------|---------------|
| 1 | 3-12-20 | SCHEMATIC |
| 2 | 5-11-20 | SCHEMATIC REV |
| 3 | - | - |
| 4 | - | - |

Sheet Title

EXTERIOR ELEVATIONS

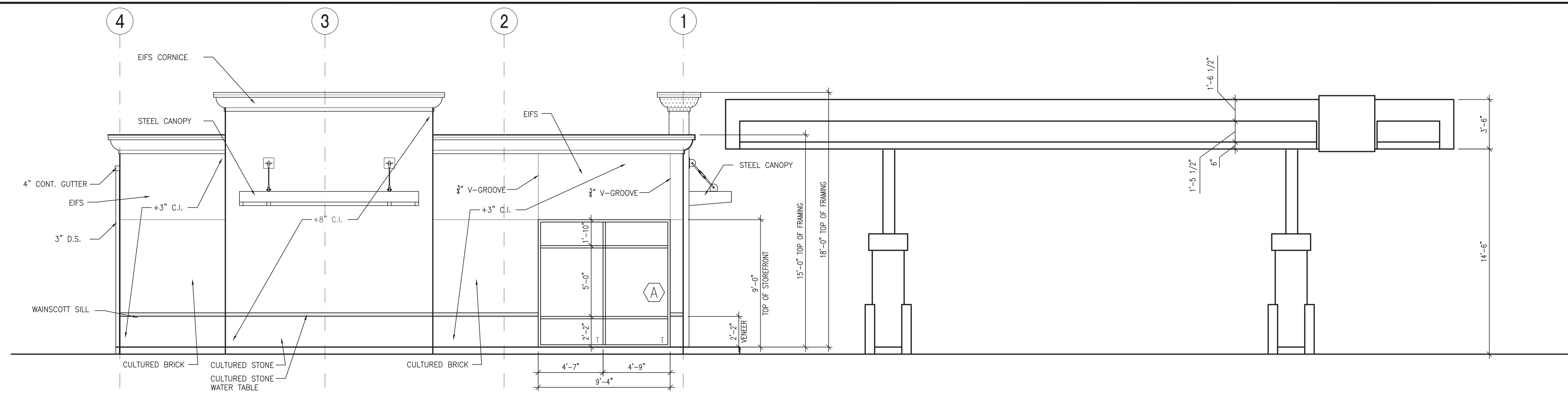
Print Date

3/12/2020

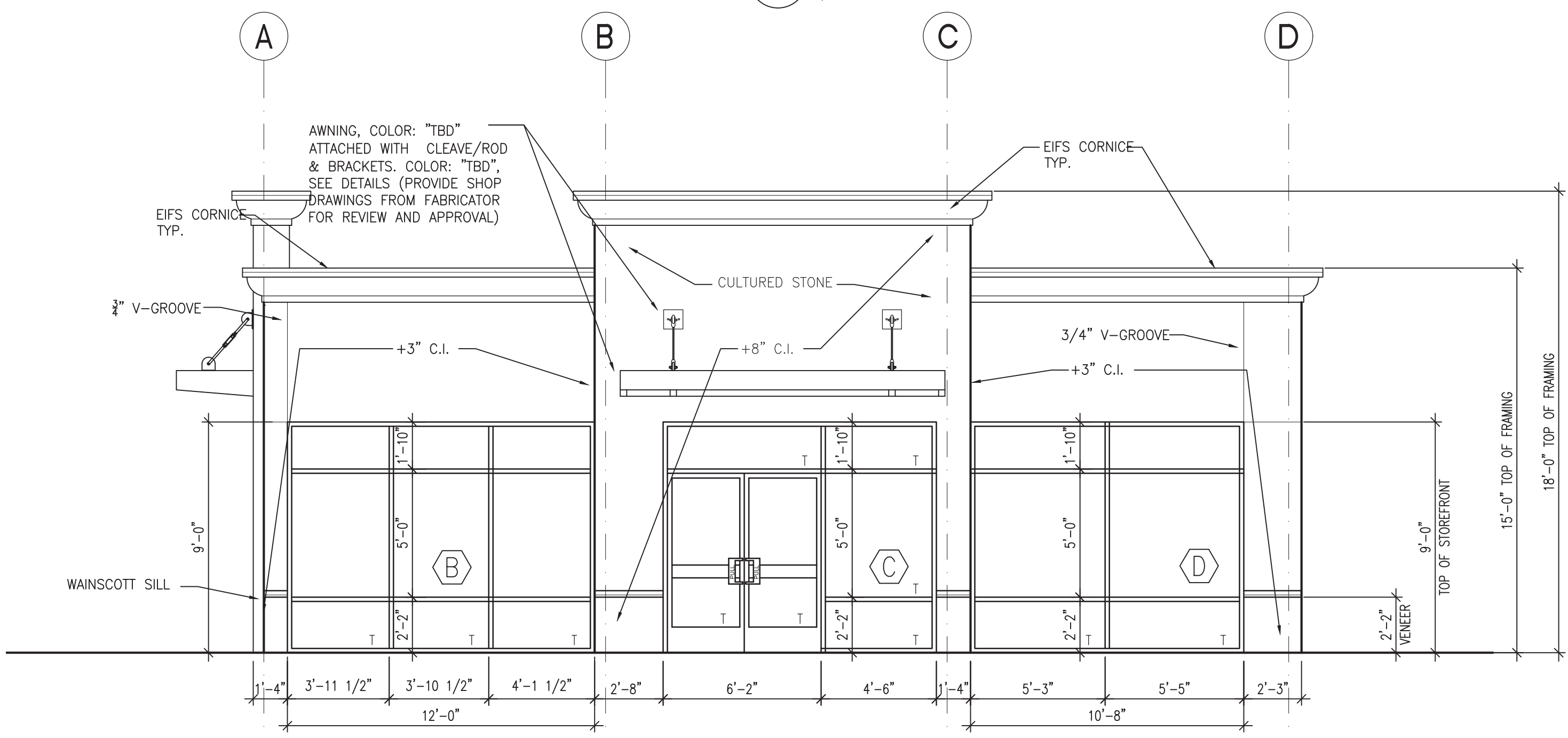
© Copyright 2020 KAUL DESIGN ARCHITECTURE, PLLC

Sheet No.

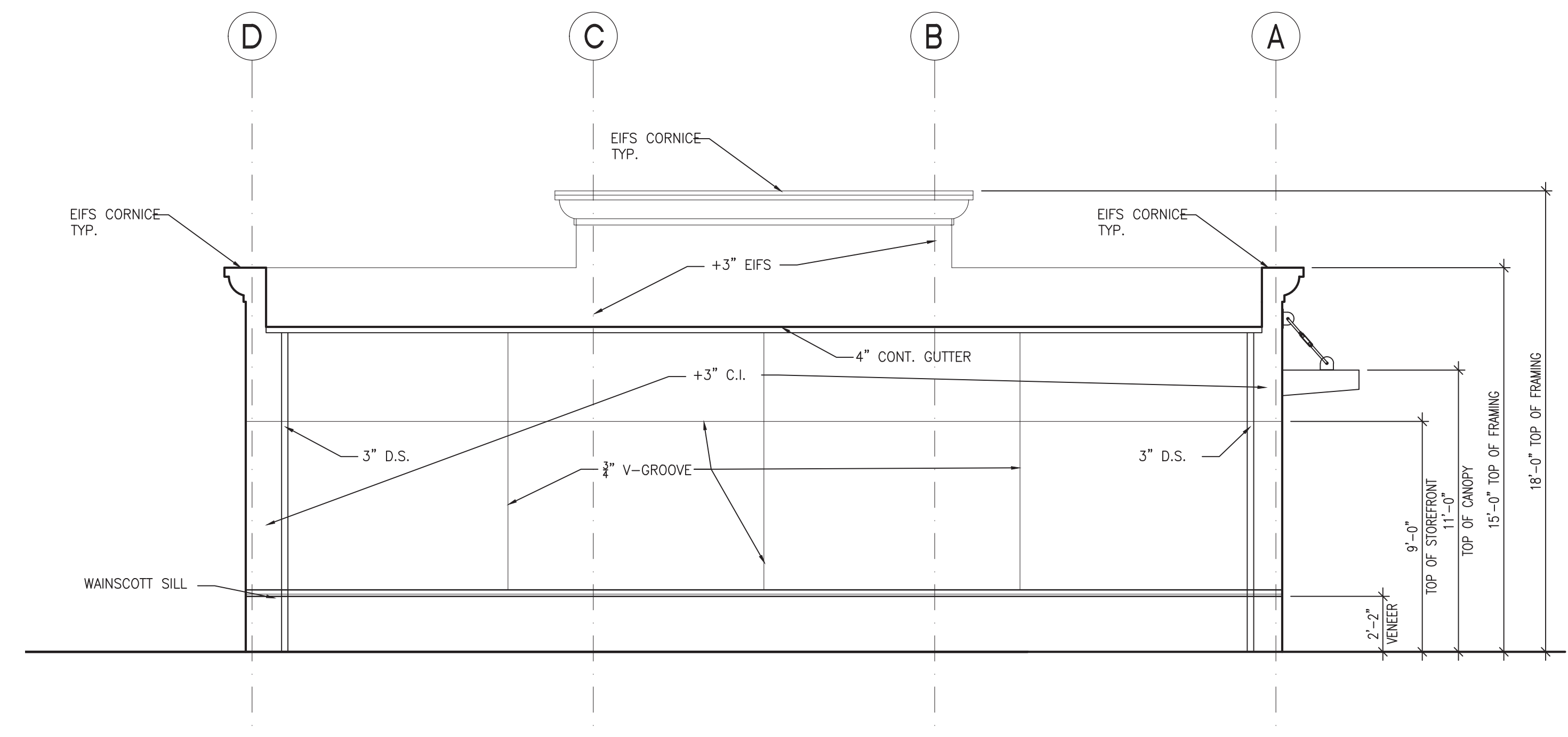
A2.1



2 EAST ELEVATION
1/4"=1'0"



1 NORTH ELEVATION
1/4"=1'0"

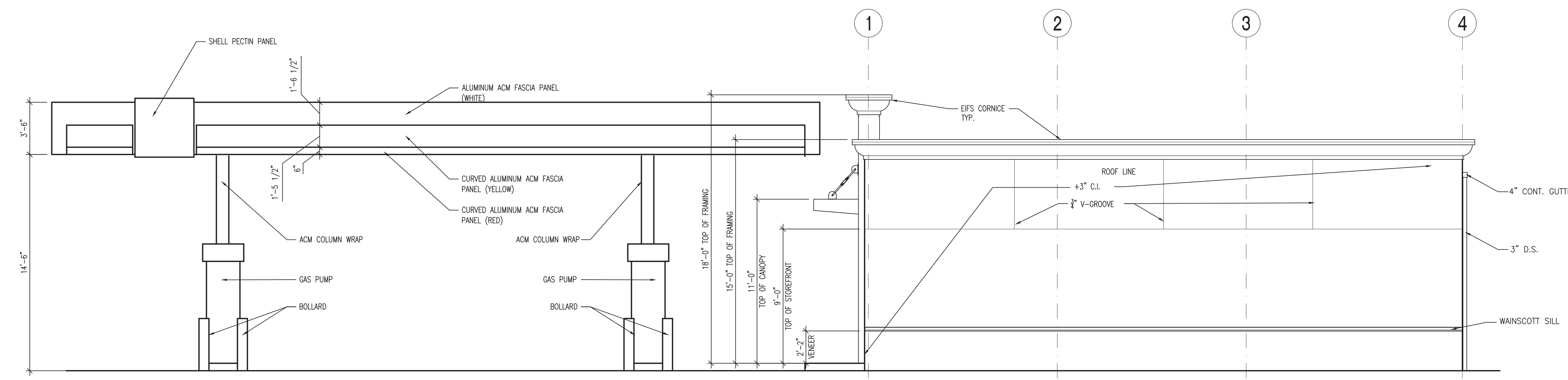


3 SOUTH ELEVATION
1/4"=1'0"

MATERIAL AND COLOR LEGEND

- CLIFFSTONE - MESQUITE
- WAINSCOTT SILL - SAND
- TUNDRA BRICK - LATIGO
- EIFS - PANTONE 7535 C
- BUILDING CANOPY - GUNMETAL POWDER COAT
- GUTTER, DOWNSPOUT, COPING - BLACK
- ALUMINUM WINDOWS AND DOORS - BLACK

CANOPY COLORS:



4 WEST ELEVATION
1/4"=1'0"